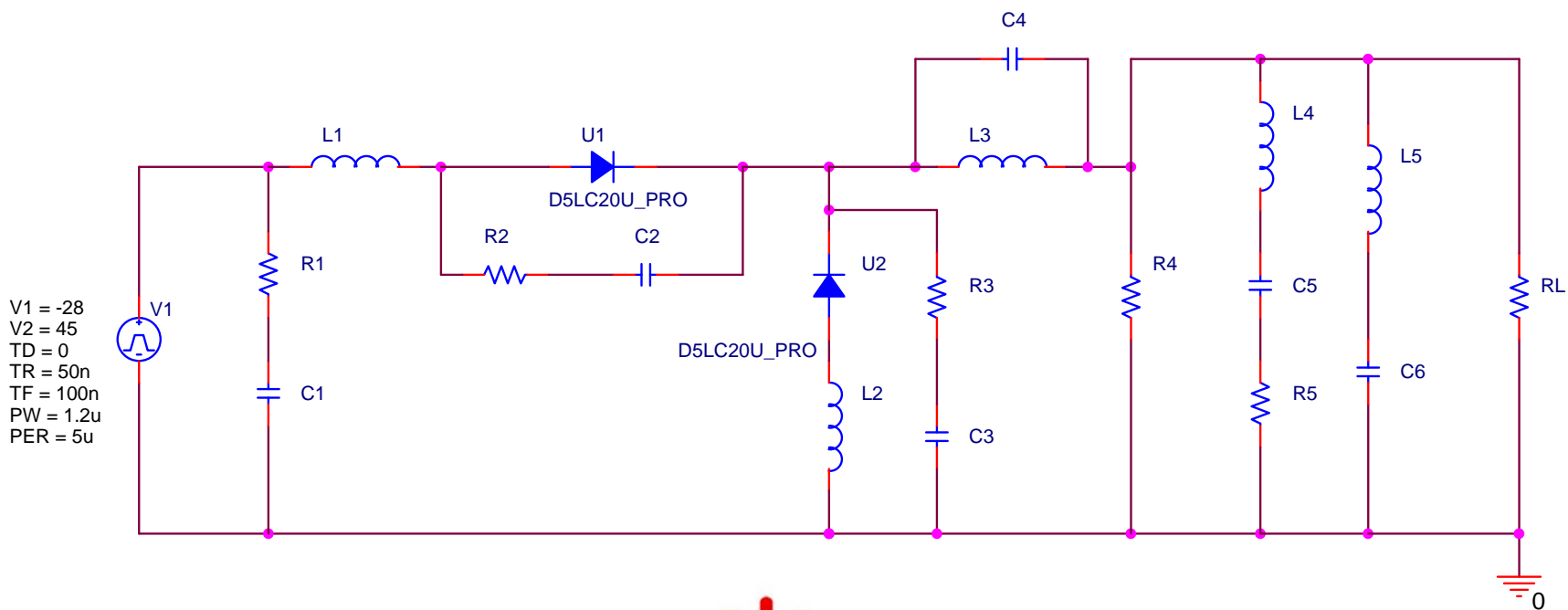


FCC(Forward Coupling Converter)

Output Voltage=5(V),Output Current=2(A)



<http://www.bee-tech.com/>

株式会社ビー・テクノロジー

All Rights Reserved Copyright (C) Bee Technologies Inc.